

The WC6 Series provide precision measurement for sub-metering, controls and energy management without dismantling the main line. Ergonomically designed with secured latches and keying holes, this CT has the largest ID of WC Series making it suitable for high load applications.



### FEATURES

- 2.0" x 5.5" window opening (ID)
- Double secured latches per side and keying holes
- Built-in tabs for easy removal and installation
- Rigid housing case with UL 94V-0 durable plastic
- Ergonomically designed with no exposed metals
- 8-32 screw terminals (TYPE A)
- Pigtail black/white wire leads (TYPE B)

### APPLICATIONS

- Energy and sub-metering products
- Electrical load monitoring
- Network equipment
- Instruments and sensors
- Control systems
- Go GREEN initiatives

### SPECIFICATIONS

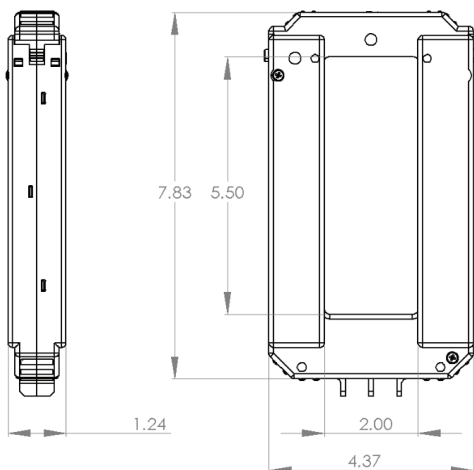
- Standard Input Current 300-2000A
- Frequency 50Hz — 400Hz
- Custom design Turns-Ratio available
- Standard accuracy 0.75 (Varied by models)
- Approximate weight 2.2Lbs
- Clamping voltage on selected models
- ANSI C57.13 and C12.20 Standards

Specifications subject to change without notice

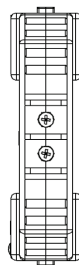
### STANDARD PART-NUMBERS

WATTCORE P/N	INPUT RATING	AVAILABLE OUTPUTS (XXXX)
WC6-600-XXXX	600A	CURRENT OUTPUTS @ 20mA, 40mA, 100mA, 1A and 5A VOLTAGE OUTPUTS @ 0.25V, 0.333V, 0.50V, 1V and 2V
WC6-800-XXXX	800A	
WC6-1200-XXXX	1200A	
WC6-1600-XXXX	1600A	
WC6-2000-XXXX	2000A	

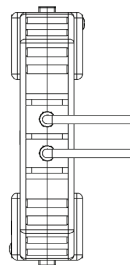
### DIMENSIONS (Inches)



**TYPE A**  
Terminal



**TYPE B**  
Pigtail



#### CAUTION

Before installation, safety precautions must be followed by licensed professional. Never energize primary unless short circuited terminals or burden connected to secondary.



© 2012 WATTCORE LLC